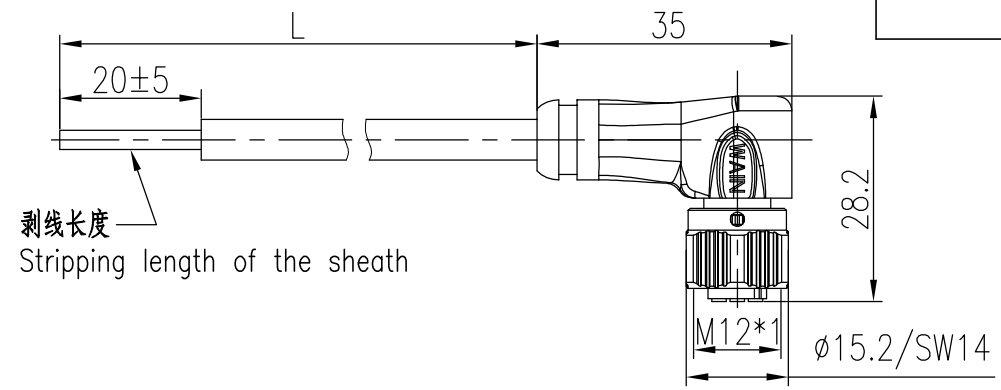


技术参数:

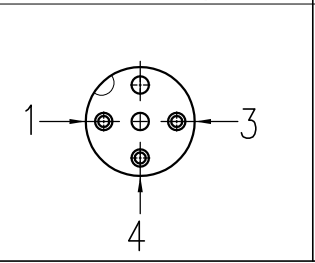
- 产品系列: M12 A-code
- 插针数: 3
- 额定电流(40°C): 4 A
- 额定电压: 250 V
- 脉冲电压: 2500 V
- 污染等级: 3
- 接触电阻: ≤10 mΩ
- 绝缘电阻: ≥100MΩ
- 锁紧方式: 螺纹M12X1
- 电缆类型: PVC/PUR, 黑色RAL9005
- 线规: 0.34mm² (AWG22)
- 防护等级: IP67
- 插拔次数: >100
- 使用温度范围: -25°C - +85°C
- 外壳材料: TPU
- 插体材料: PA
- 插针材料: 铜合金
- 插针电镀材料: 金

Technical specification:

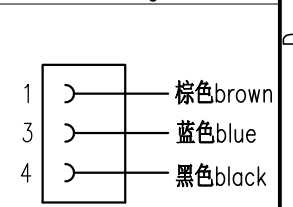
- Series: M12 A-code
- Number of contacts: 3
- Rated current(40°C): 4 A
- Rated voltage: 250 V
- Rated impulse voltage: 2500 V
- Pollution degree: 3
- Contact resistance: ≤10 mΩ
- Insulation resistance: ≥100MΩ
- Connectoe locking system: Screw M12x1
- Cable type: PVC/PUR , Black RAL 9005
- Wire gauge: 0.34mm² (AWG22)
- Degree of protection: IP67
- Mating cycles: >100
- Temperature range: -25°C - +85°C
- Material of housing: TPU
- Material of Insert: PA
- Material of contact: copper alloy
- Contact plating: Au



针位图
Contact arrangements



接线图
Circuit diagram



例如型号 "M12-F03A-S-L-PVC-SH",

"L"表示带线长度, 单位m。

Ex: Part code "M12-F03A-S-L-PVC-SH",
 the "L" represents the cable length, unit m.

-	M12-F03A-S-L-PVC/PUR-SH	Lm	-g
1630035024062	M12-F03A-S-5.0-PUR-SH	5.0m	198g
1630035024061	M12-F03A-S-1.5-PUR-SH	1.5m	71g
1630035024022	M12-F03A-S-5.0-PVC-SH	5.0m	198g
1630035024021	M12-F03A-S-1.5-PVC-SH	1.5m	71g
产品料号 Part NO.	产品代号 Part Code	线缆长度(L)	重量Weight

				表面处理 Finish		-		图号 Drawing No.		-	
				材料 Material		-		产品代号 Part Code		M12-F03A-S-L-PVC/PUR-SH	
标记 Mark	处数 Number	变更描述/Description		签名 Signature	日期 Date			产品料号 Part No.		-	
绘图 Drawn	L CHEN	25.12.2023	标准化 Stand.	-	-	比例 Scale	版本 REV.	重量 Weight	数量 Qty.	产品名称 Part Name	
审核 Checked	ZQ XU	25.12.2023				1:1	V1.1	-	-	-	
工艺 Process	-	-	批准 Approved	HQ ZHANG	25.12.2023	All Dimensions in mm Original Size DIN A 4		厦门唯恩电气有限公司 XIAMEN WAIN ELECTRICAL CO.LTD			